

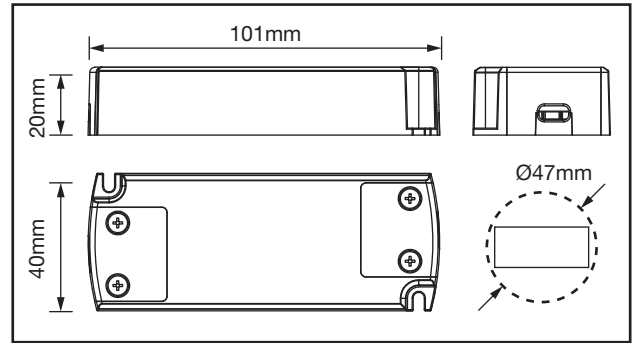
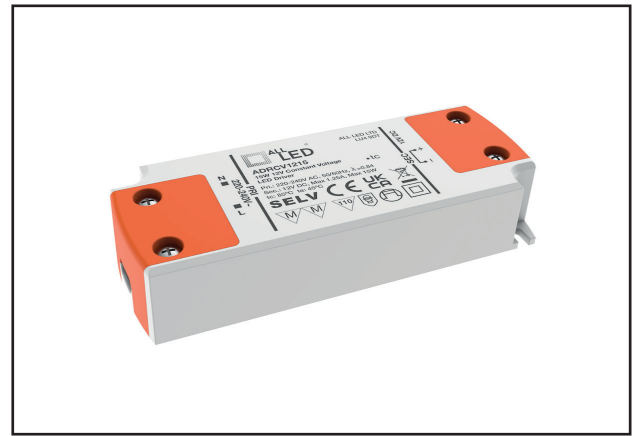
## ADRCV1215

12V 15W Constant Voltage LED Driver

# Drive12

### PRODUCT FEATURES

- 12V Constant Voltage
- Zero Load Function
- Non-Dimmable
- SELV, Overload, No Load, Short Circuit, Thermal & Overload Protection
- Screw Terminals



### TECHNICAL SPECIFICATIONS

Product Code	ADRCV1215
Operating Voltage	220-240V AC
Operating Current (A Max)	0.084A
Operating Output Power	0W - 15W
Output Current (Max)	1.25A
Output Voltage (Max)	12V
Power Factor	0.84
Efficiency %	83%
No Load Power (W)	<0.5W
Class	II
Body Material	Polymer
Frame Colour	White (Orange Caps)
Switching Cycles	>25,000
Ingress Protection	IP20
Ambient Operating Temperature (°C)	-20°C~+45°C
Input Frequency (Hz)	50/60Hz
Guarantee	5 Years
Output type	Constant Voltage
Lifetime	30,000 Hrs

