

AEMBOX/M/M

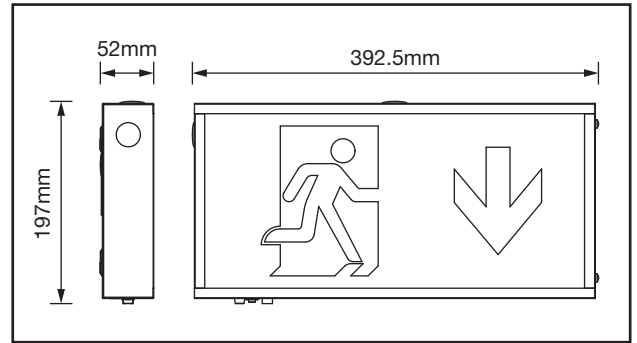
3.5W Steel Maintained & Non-Maintained Exit Sign

BrightGuard MT

PRODUCT FEATURES

- Functions As A Maintained Or Non-Maintained Luminaire
- LEDs Directionally Illuminate The Doorway
- 20mm Conduit/Side Entries And Besa Box Mounts
- Loop In Loop Out Push Terminals For Easy Wiring
- Down Arrow Included. Different Exit Sign Plates Available* - Right: AEMBOX/R, Left: AEMBOX/L, Up: AEMBOX/UP
- >3 Hours Of Continuous Light In Emergency Mode

Scan For Instructions



TECHNICAL SPECIFICATIONS

Code	AEMBOX/M/M
Luminous Flux (LM)	≤90lm
Useful Luminous Flux (LM)	≤90lm
Emergency Luminous Flux (LM)	≤30lm
CCT (Kelvin)	6500K
Beam Angle (°)	80°
SDCM	<6
CRI	>80
Peak Intensity (cd)	221cd
Operating Voltage (V)	220-240V AC
Emergency Output Power (W)	1W
Operating Power (W)	3.5W
Operating Current (A Max)	0.037A
Power Factor (Pf)	>0.4
Class	I
Body Material	Steel
Frame Colour	RAL9003
Switching Cycles	30,000
Ingress Protection	IP20
Ambient Operating Temperature (°C)	0°C ~ +50°C
Input Frequency (Hz)	50/60Hz
Guarantee	5 Years
Lifetime (L70 B50)	60,000 Hrs
Charge Time	24 Hrs
Battery Type	LiFePO4
Battery Voltage	3.2VDC
Battery Current	1500mAh
Battery Wattage Hours	4.8Wh
Emergency Duration	3 Hrs

ACCESSORIES*



Right Arrow Legend
AEMBOX/R



Left Arrow Legend
AEMBOX/L



Up Arrow Legend
AEMBOX/UP



*Sold Separately