



ALTOS-2 EMERGENCY LOW BAY

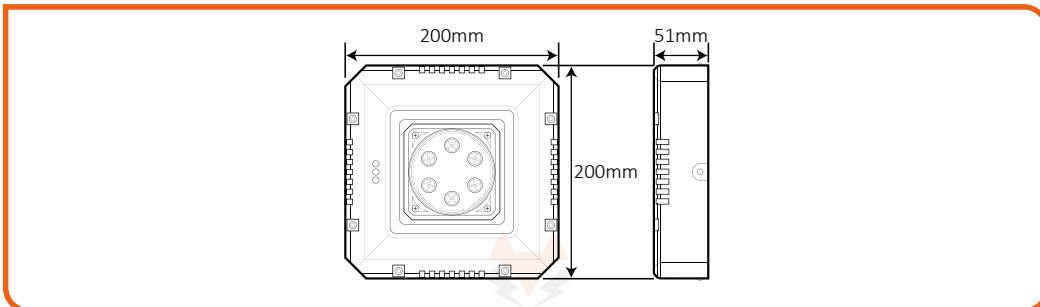


- Highly efficient optical performance
- IP65
- High output
- 8 year warranty including battery
- Remote control compatible
- Pre-commissioning feature via REM-E1

Part Number	Description	Output	Optic	Beam Angle
ALT2-925-WB	Altos-2 Emergency Low Bay - Wide Beam- Self-test	925lm	Wide Beam	116°
ALT2-810-RK	Altos-2 Emergency Low Bay - Rack Lens- Self-test	810lm	Rack	156° x 68°
ALT2-890-OA	Altos-2 Emergency Low Bay - Open Area- Self-test	890lm	Open area	80°
ALT2-780-SP	Altos-2 Emergency Low Bay - Spot Lens- Self-test	780lm	Spot	45°

NOTE: Self-test luminaires are configured to manual test mode by default. If self-test mode is required, it should be activated via remote control.

DIMENSIONS



Technical Data	ALT2-*-*
Rated Supply Voltage	220-240V AC
Mains Frequency	50 / 60 Hz
Max. Power Consumption	7.5W
Standby Power	<0.5W
Emergency Output Power	5W
Rated Emergency Duration	3hrs**
Battery Charge Time	8hrs (Initial up to 16hrs)
Operational Temperature	0°C to 40°C
Storage Temperature	0°C to 50°C
Insulation Class	I
Ingress Protection	IP65
Impact Protection	IK10
Battery Type	2 x 26650 Li-ion 6.4V 4.0Ah
Battery Code	FXC6.4-4000-A50

*Refers to output and lens type. Head type does not affect the technical data.
 **To optimise long-term battery performance, the luminaire will operate for 3 hours before automatically shutting down.

Logistics Information	ALT2-*-*
Product Dimensions	200 x 200 x 51mm
Net Weight	1.87kg
Box Dimensions	285 x 70 x 230mm
Gross Weight	2.03kg
Box Qty	5pcs
Carton Dimensions	350 x 250 x 300mm
Carton Weight	10.15kg
Commodity Code	5060641102476

Materials	
Housing	Aluminium
Finish	Matt
Colour	White
Screws	Nickel Steel

LED Light Source	
Type	5050
Colour Temp.	4000K
CRI	>80
LED Lifetime	50,000hrs

SELF-TEST

Indicator LED Guide		
GREEN LED	RED LED	STATUS
On	Off	Standby
Slow Flash	Off	Charging
Fast Flash	Off	Function test or duration Test in progress
Off	On	Battery disconnected / Duration test failed
Slow Flash	Slow Flash	Battery temp. out of operational range
Off	Slow Flash	Light source fault

ACCESSORIES

REMOTE CONTROL



REM-E1	
Dimensions	117 x 38 x 13mm
Gross Weight	0.03kg
Commodity Code	85437003
<ul style="list-style-type: none"> ● Infrared remote control for all Fox Lux self-test luminaires, modules and remote packs. ● Batteries not included, requires 2 x AAA. <p><i>(NOT COMPATIBLE WITH DALI-2 PRODUCTS.)</i></p>	

ALTOS-2 SUSPENSION KIT



ALT2-SK2	
Max. Suspension Length	2.0m
Gross Weight	0.16kg
Commodity Code	94059900
<ul style="list-style-type: none"> ● 2m suspension kit for Fox Lux Altos-2. 	

ALTOS-2 LENS



	ALT2-45	ALT2-80
Dimensions	82 x 82 x 8mm	82 x 82 x 8mm
Beam Angle	45°	80°
Lumen Output	780lm	890lm
Gross Weight	0.02kg	0.02kg
Commodity Code	90021100	90021100
<ul style="list-style-type: none"> ● Optional lenses for Fox Lux Altos-2. 		

