

LED Ultra-Thin Power Supply AP-60WUDS

- Universal AC input/full range(100-264VAC)
- Built in active PFC function
- Efficiency up to 92%, super thin and small size.
- Protections:short circuit/over load/over voltage/over temperature
- IP67 design for indoor or outdoor installation
- It can be used in dry ,wet and rainy environment
- Cooling by free air, high reliability
- Suitable for internal lights application for I / II / III.
- Up to 50000-hour life time
- Widely used in LED lighting and IT equipment
- Compliance to worldwide safety regulation for led lightings.

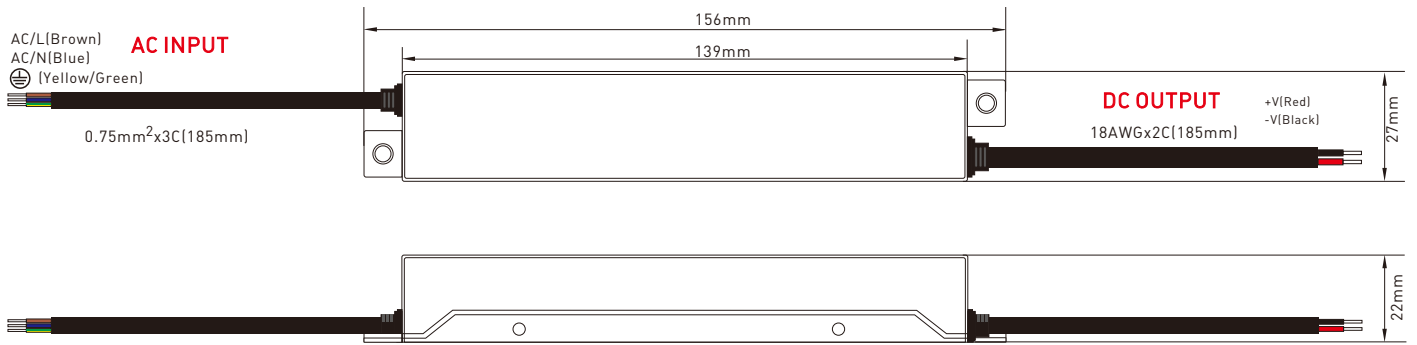


Type Approved
Safety
Regular Production
Surveillance
www.tuv.com
ID: 1111222994

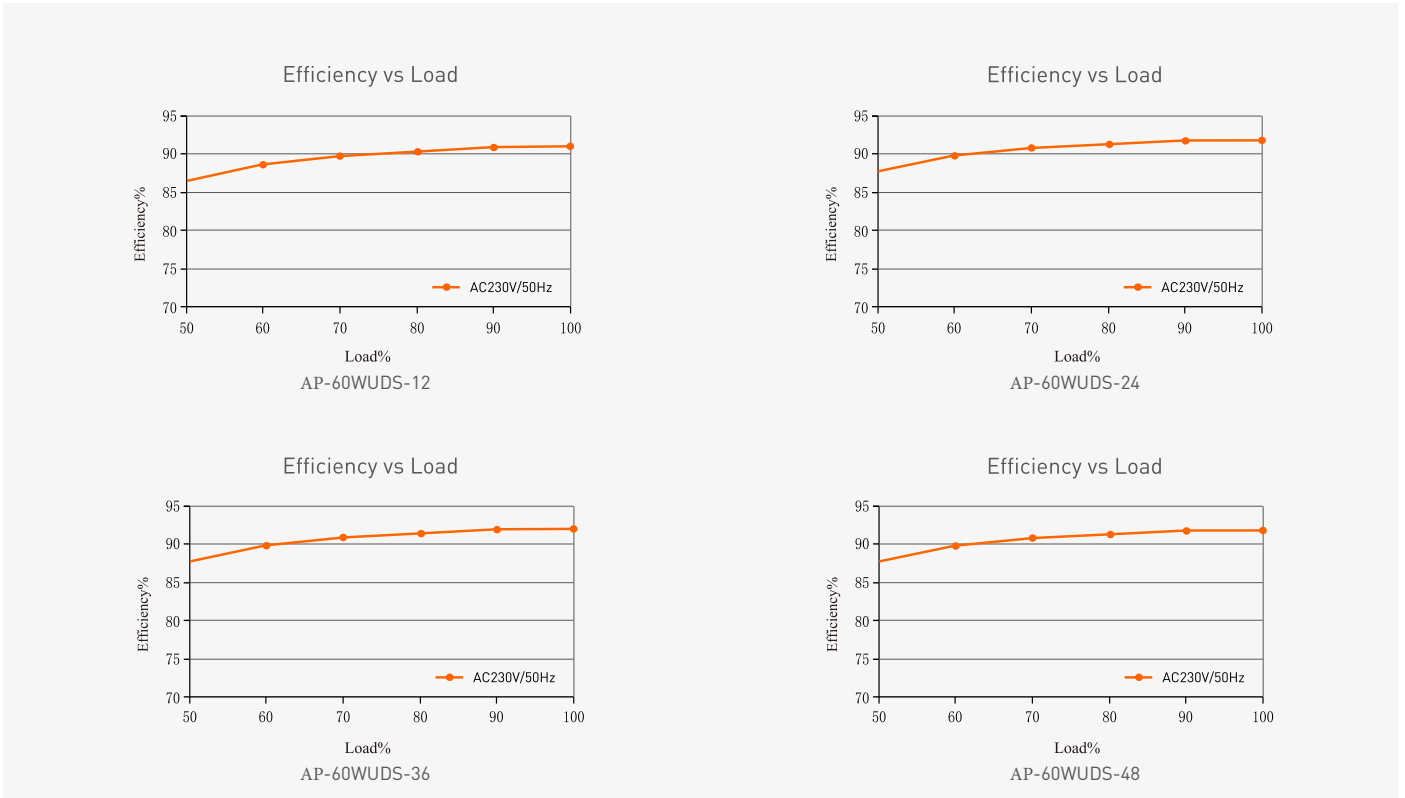


Specification

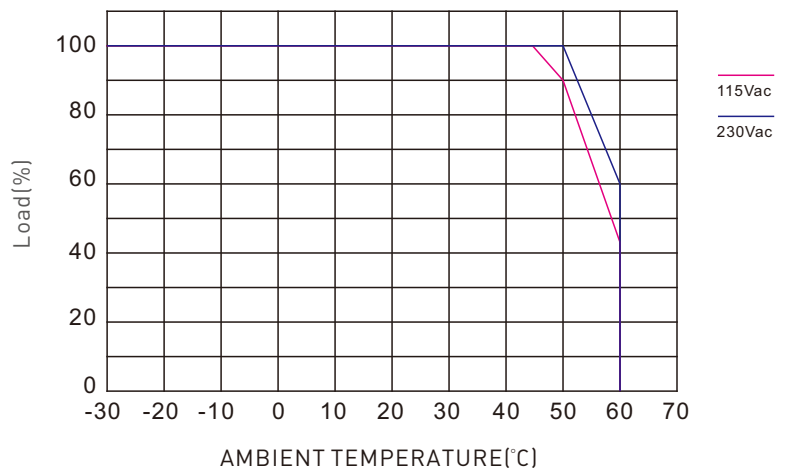
Model	AP-60WUDS-12	AP-60WUDS-24	AP-60WUDS-36	AP-60WUDS-48	
OUTPUT	Output voltage	12VDC	24VDC	36VDC	48VDC
	Output voltage range	12VDC±0.3VDC	24VDC±0.6VDC	36VDC±0.9VDC	48VDC±1.2VDC
	Output current	Max 5A	Max 2.5A	Max 1.67A	Max 1.25A
	Output power	Max 60W			
	Output power range	0~60W			
	Ripple & Noise	≤150mV	≤240mV	≤360mV	≤360mV
	Linear Regulation	±1%			
	Load Regulation	±1%			
	Start-up Time (Typ)	600ms/230VAC 850ms/115VAC			
	Rise Time(Typ)	11ms/230VAC 11ms/115VAC			
Hold Up Time(Typ)	19ms/230VAC 10ms/115VAC				
INPUT	Input voltage	100-264Vac			
	Frequency	50/60Hz			
	Input current	0.3A/230Vac or 0.6A/115Vac			
	Power factor	PF>0.96/230Vac, at full load; PF>0.99/115Vac, at full load			
	No-load power consumption	< 0.5W			
	THD	≤10% at 230Vac,at full load; ≤8% at 115Vac,at full load			
	Efficiency (typ.)	91%	92%	92%	92%
	Inrush current(typ.)	50A/230VAC			
	Control surge capability	L,N:1KV L,N-PE:2KV			
	Leakage current	Max. 0.5mA			
ENVIRONMENT	Working temperature	ta: -30°C~ 50°C tc: 80°C			
	Working humidity	20 ~ 99%RH, condensing(Waterproof)			
	Storage temp., humidity	-40°C ~ 80°C, 10~95%RH			
	Vibration	10~500Hz, 2G 12min./1cycle, period for 72min. each along X, Y, Z axes.			
PROTECTION	Overtemperature	Protection type: Turn off the output voltage, after the temperature drops, re-energize to restore.			
	Over voltage protection	Output voltage ≥110%-160%, turn off the output, after the abnormality is eliminated, re-energize to recover.			
	Over load protection	Shut down the output when current load ≥110%~150%, auto recovers.			
	Short circuit protection	Protection type: It can be automatically restored after the fault is eliminated.			
SAFETY & EMC	Withstand voltage	I/P-O/P: 3750Vac			
	Isolation resistance	I/P-O/P: 100MQ/500VDC/25°C/70%RH			
	Safety standards	IEC/EN61347;IEC/EN60950;IP67			
	EMC emission	EN55015:2013;FCC Part 15B;EN61547:2009;EN61000-3-2:2014;EN61000-3-3:2013			
	EMC immunity	EN61000-4-2,3,4,5,6,8,11 EN61547			
Reliability and Quality Control	Impact aging	100% of the product is fully loaded and impacted for 4 hours under an environment of at least 40 C 5 C			
	Component derating	Under the steady-state conditions of rated input and output, the stress of components will not exceed its maximum nominal value			
NOTE	1. All parameters not specifically mentioned are measured at 230VAC input, rated load and 25 C ambient temperature. 2. Ripple and noise test method: connect 0.1uF and 47uF capacitors in parallel at the terminal, and measure under 20MHZ bandwidth. 3. Ensure that the power supply is used under the rated parameters and environment.				



Relationship diagrams



Temperature load curve



Packaging Information

DIMENSION	156x27x22mm(LxWxH)
PACKING	208x45x27mm(LxWxH)
CARTON QUANTITY	60PCS
CARTON SIZE	430x295x155mm(LxWxH)
WEIGHT	180g±10g/PCS

* No further notice if any changes in the manual. Product function depends on the goods. Please feel free to contact your supplier if any question.