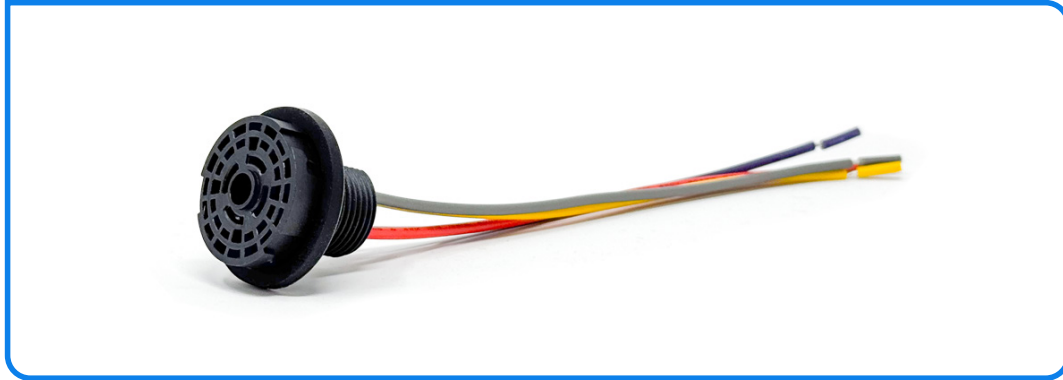


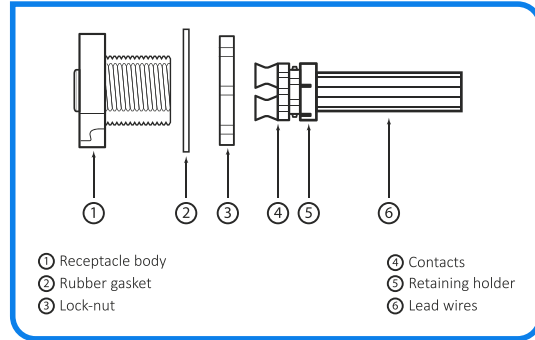
## FX150 ZHAGA BOOK 18 RECEPTACLE



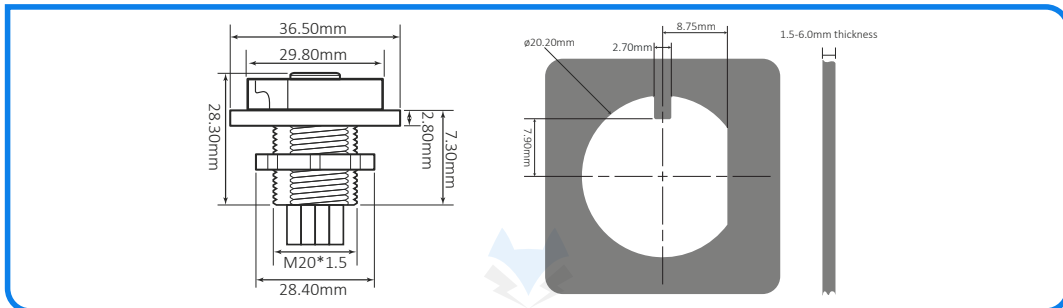
### FEATURES

- Zhaga book 18 standard interface
- Pre-wired for easier installation
- Compatible with DALI, 0-10V and PWM sensors

### KEY ELEMENTS



### DIMENSIONS



### Technical Data

Operating Voltage	12-24V DC
Guaranteed Output Current, DALI-	N/A
Max. Output Current, DALI-	N/A
Stand by Power	N/A
Operating Temperature	N/A
IP Rating	IP65

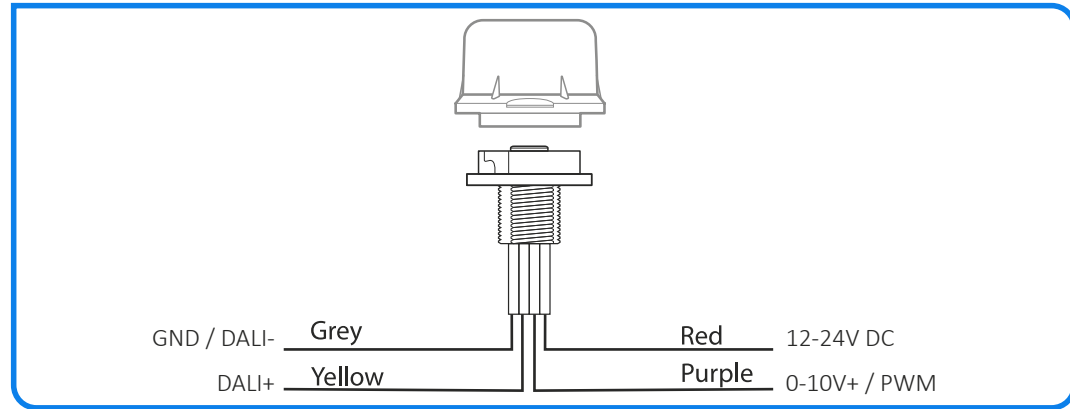
### Logistics Information

Product Dimensions	37 x 37 x 28mm
Net Weight	0.03kg
Box Dimensions	N/A
Gross Weight	0.03kg
Carton Qty	256pcs
Carton Dimensions	460 x 310 x 240mm
Carton Weight	11.0kg
Commodity Code	8536500090

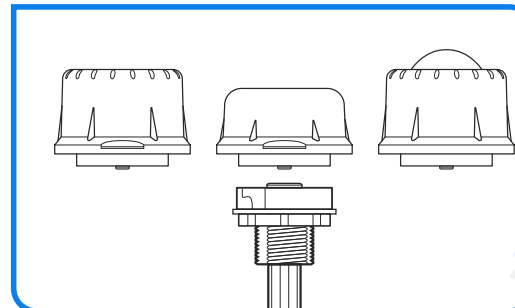
### Materials

Housing	Polycarbonate
Finish	Matt
Colour	Black

### WIRING



### TYPICAL APPLICATIONS



This receptacle can be used with any Zhaga book 18 sensor head, it provides an interface to connect your sensor head to your fixture.