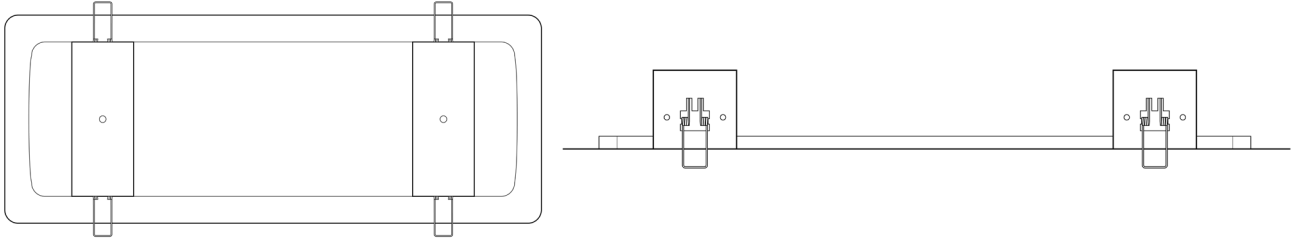


FXB-RK RECESSING BULKHEAD KIT



Technical Data

Model Variant

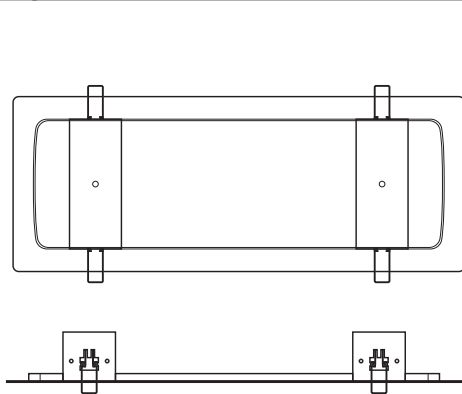
FXB-RK

Dimensions

400 x 155 x 43mm

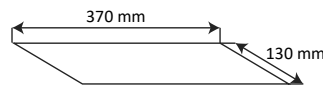
Installation Guide

1 Remove Product from Packaging



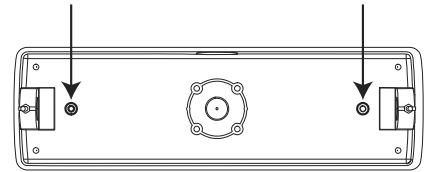
2 Prepare Mounting Location

Prepare 130 x 370 mm hole in mounting surface.



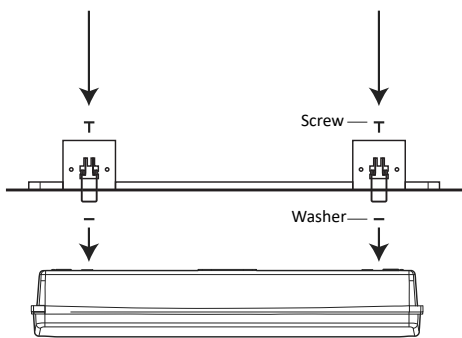
3 Prepare Bulkhead

Drill out the mounting holes in the bulkhead. Reference to bulkhead user guide for assistance.



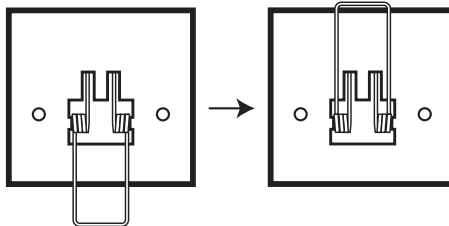
4 Mount Recessing Kit to Bulkhead

Fit the recessing kit to the bulkhead using the screws, washers and nuts provided.



5 Adjust Recessing Kit Arms

Lift the luminaire arms up to prepare for installation.



6 Install Luminaire

Feed the body of the luminaire through the mounting hole. The springs will secure kit in place automatically.

