

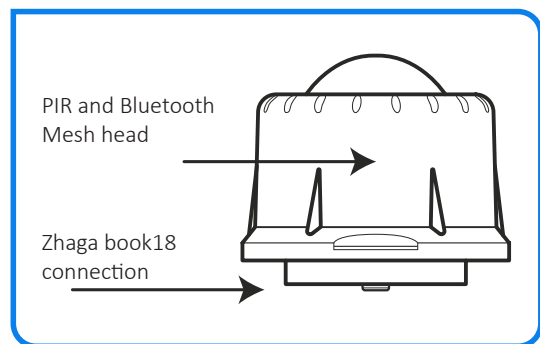
## FXB158DLPIR-C DALI-2 D4i SILVAIR PIR SENSOR



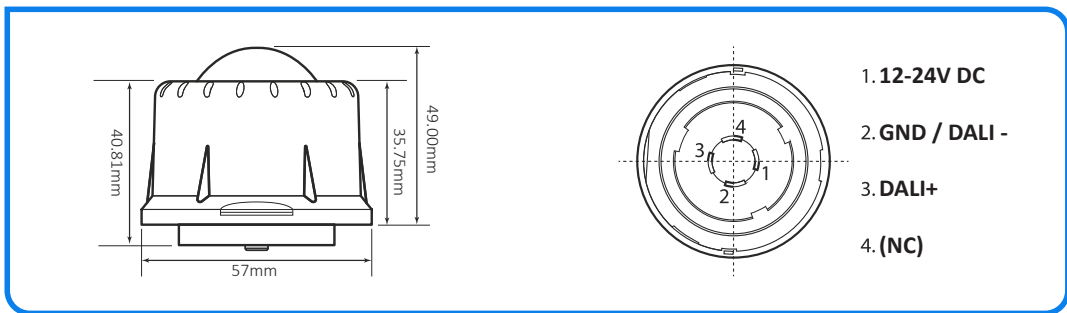
### FEATURES

- Bluetooth Mesh Networking
- Daylight harvesting
- Settings via Sil vair configuration software
- Power supply via 12-24V aux
- Self-contained DALI-2 bus power supply
- Self-contained application controller

### KEY ELEMENTS



### DIMENSIONS



### Technical Data

Operating Voltage	12-24V DC
DALI-2 output	Max. 4 devices, max. 25mA
Standby Power	<0.5W
Sensor Technology	PIR
Mounting Height	Max. 12m
Detection Radius	Max. 6 to 7m
Operating Temperature	-20°C to 50°C
IP Rating	IP65

### Logistics Information

Product Dimensions	57 x 57 x 49mm
Net Weight	0.01kg
Box Dimensions	66 x 65 x 62mm
Gross Weight	0.01kg
Carton Qty	72pcs
Carton Dimensions	440 x 290 x 250mm
Carton Weight	5.50kg
Commodity Code	8536500090

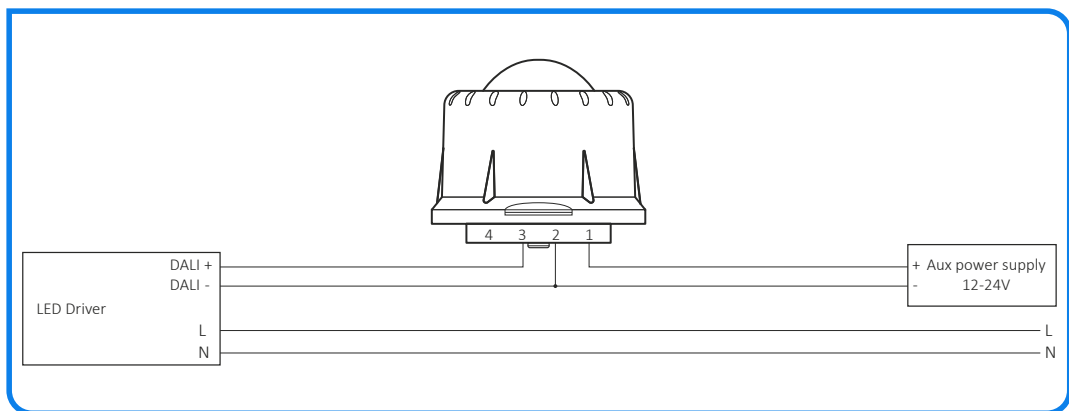
### Materials

Housing	Polycarbonate
Finish	Matt
Colour	Black

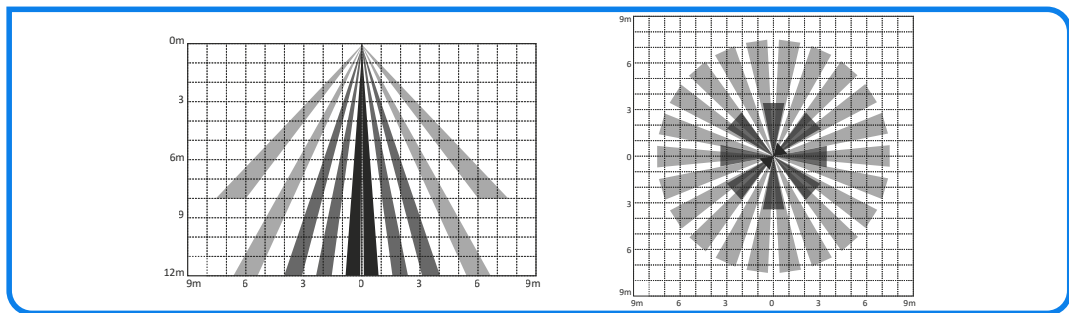
### Bluetooth

Operation Frequency	2.4GHz-2.483GHz
Transmission Power	+4dBm
Transmission Range	10-30m
Protocol	Bluetooth Mesh

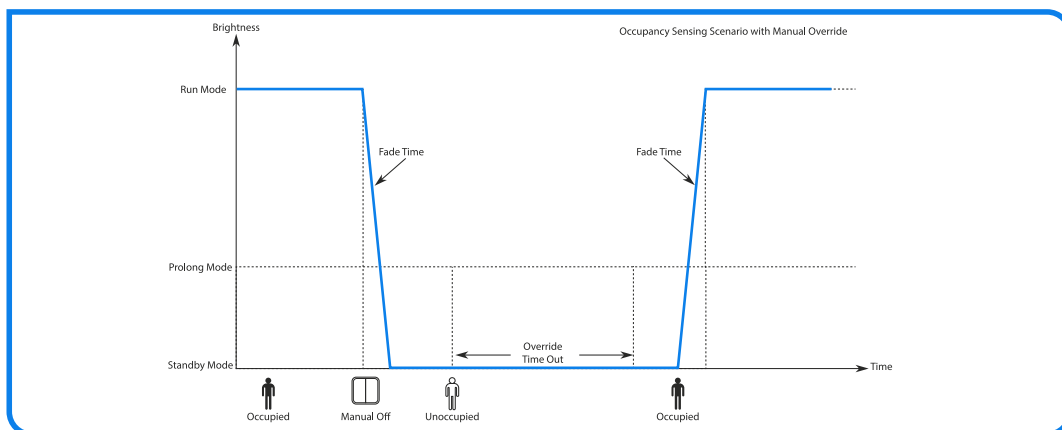
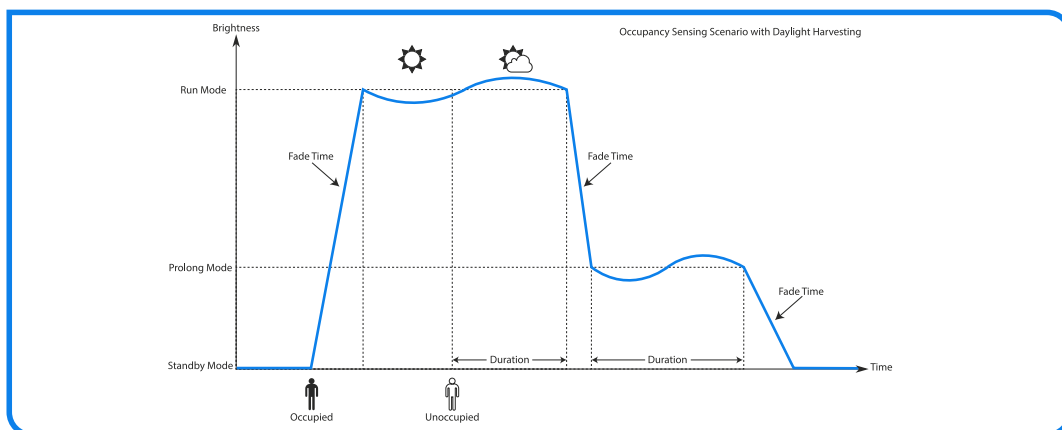
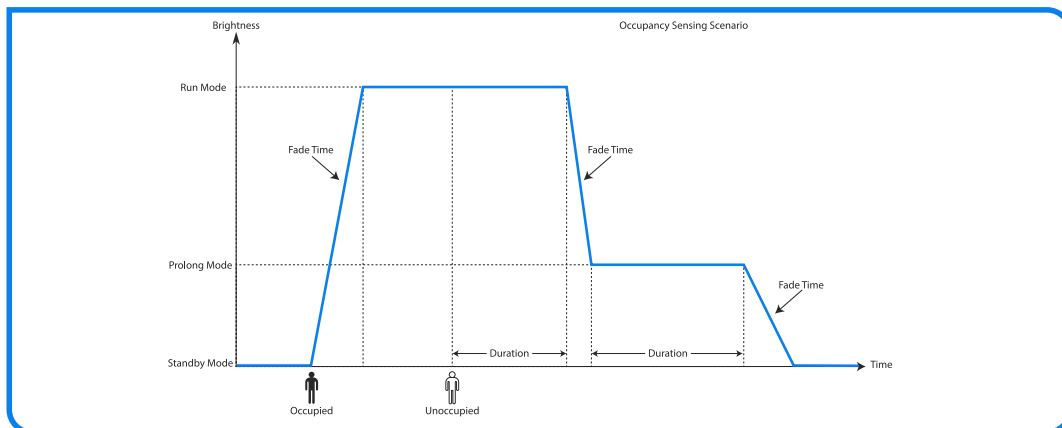
### WIRING



### DETECTION



## OCCUPANCY SENSING SCENARIOS



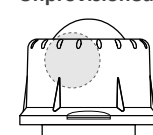
## BLUETOOTH CONFIGURATION

### Provisioned configurations

The sensor is in unprovisioned mode until it's connected to a "provisioner" which is typically a smartphone app.

The silvair app is available on iOS at <https://silvair.com/en/>

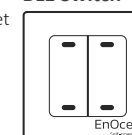
### Unprovisioned mode



In order to factory reset the sensor head, place a strong magnet near the marked area (e.g. neodymium magnet) for approx. 5s. Once the reset is done, the attached luminaire will flash and be permanently on.

### Bluetooth factory reset

### BLE Switch



EnOcean BLE switches can be used to control the Bluetooth Mesh sensor-equipped luminaires. The switches can easily be linked to a Bluetooth Mesh sensor by using the Silvair iOS app.

## Network status indication (by green LED)

FXB158DLPIR-C unprovisioned	30ms ON	270ms OFF
FXB158DLPIR-C provisioned	30ms ON	1985ms OFF
Factory reset	100ms ON	900ms OFF
MESH package received	30ms ON	20ms OFF
Attention (from network)	500ms ON	500ms OFF

## LIGHTING CONTROL SCENARIOS

Mode / Scenario	Wireless Switch	Occupancy Sensor	Ambient Light Sensor
Unprovisioned Mode	-	-	-
Manual control	On / Off / Scenes	-	-
Occupancy sensing	On / Off / Scenes	AUTO On / Off	-
Vacancy sensing	On / Off / Scenes	AUTO Off	-
Occupancy sensing with Daylight Harvesting	On / Off / Scenes	AUTO On / Off	Enabled
Vacancy sensing with Daylight Harvesting	On / Off / Scenes	AUTO Off	Enabled

## SUPPORTED BLUETOOTH MESH MODELS

### Bluetooth mesh models servers

Mesh model generic default transition time server	Mesh model sensor server
Mesh model generic level server	Mesh model sensor setup server
Mesh model generic on/off server	-
Mesh model generic power on/off server	-
Mesh model generic power on/off setup server	-
Mesh model light LC server	-
Mesh model light LC setup server	-
Mesh model light lightness server	-
Mesh model light lightness setup server	-

### DALI-2 & D4i standards

EN62386-101 Ed.2  
EN62386-103 Ed.2  
EN62386-351 Type D

### REMOTE SETTINGS

The mated remote control for this model is REM-S21.