

## FXB356 ZHAGA BOOK 18 CASAMBI NODE

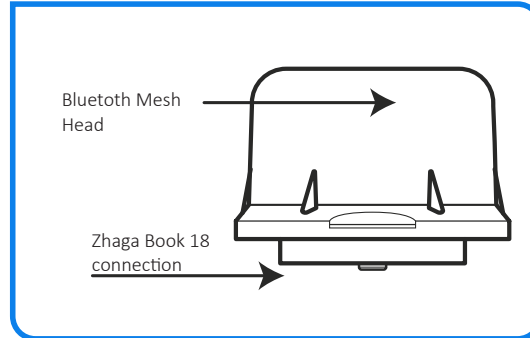


**CASAMBI**

### FEATURES

- Bluetooth mesh fixture controller
- Setting via Casambi configuration software
- Control via 0-10V output
- Individual / group addressing
- Super compact ø50mm
- OTA firmware upgrade
- Decentralised control (no single point of failure)

### STRUCTURE



### Technical Data

Operating Voltage	12-24V DC
Rated Load	N/A
Standby Power	<0.5W
Sensor Technology	N/A
Mounting Height	N/A
Detection Radius	N/A
Operating Temperature	-20°C to 70°C
IP Rating	IP65

### Logistics Information

Product Dimensions	50 x 37 x 50mm
Net Weight	0.04kg
Box Dimensions	N/A
Gross Weight	0.04kg
Carton Qty	208pcs
Carton Dimensions	460 x 310 x 240mm
Carton Weight	9.80kg
Commodity Code	8536500090

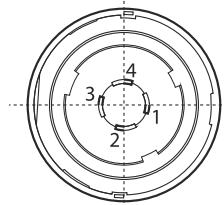
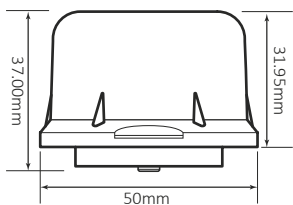
### Materials

Housing	Polycarbonate
Finish	Translucent
Colour	Black

### Bluetooth

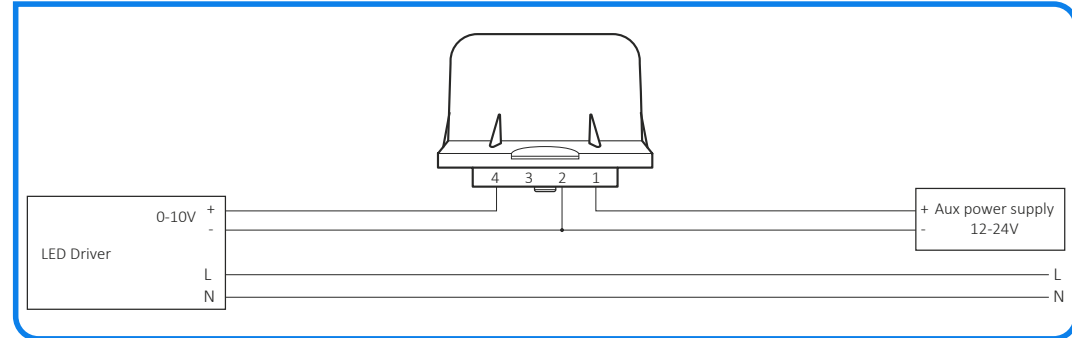
Operation Frequency	2.4GHz-2.483GHz
Transmission Power	Up to +7dBm
Transmission Range	≥50m
Protocol	Bluetooth Low Energy Mesh

### DIMENSIONS



1. 12-24V DC
2. GND / DIM-
3. (NC)
4. 0-10V+ / DIM+

### WIRING



### CASAMBI



### OPERATION STEPS

- Download the **casambi** app from either the apple app store or the googleplay store onto your device of choice. Once the app is open you can use a variety of commands such as:
- Create a luminaire group by selecting the "Group" button
  - Organise the luminaires and sensors by selecting "Edit"
  - Control luminaires individually by double clicking the Group button in the middle left of the screen.
  - Find unpaired luminaires with "Nearby luminaires" button.
  - Turn on and off all luminaires with the middle "All luminaires"
  - Open sensor settings by double clicking its named button in the bottom middle
  - Bottom bar in the app allows you to assign photographs to each configuration of lights, scenes which controls multiple luminaires at once, and has the network and help option.