



FXD01 MINI RECESSED DOWNLIGHT



VARIANTS AVAILABLE: OPEN AREA / CORRIDOR LENS

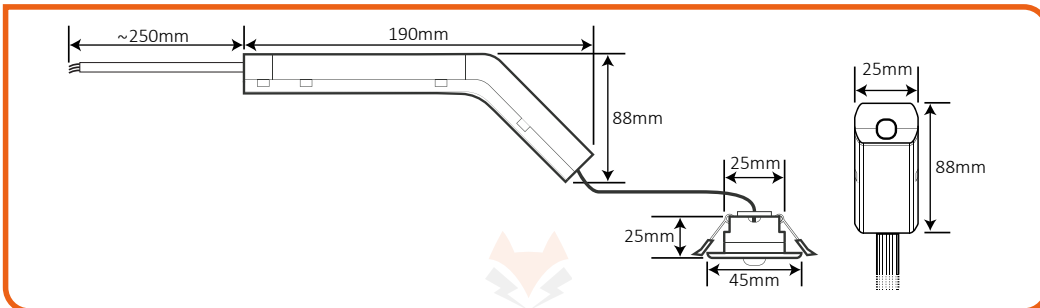
- Highly efficient optical performance
- Pre-wired for ease of installation
- Available in black
- 8 year warranty including battery
- Remote control compatible
- Pre-commissioning feature via REM-E1



Part Number	Description	Output	Optic	Beam Angle
FXD01S-1.5-O-3	Mini Recessed Downlight - Open Area - Self-test	190lm	Open Area	127°
FXD01S-1.5-C-3	Mini Recessed Downlight - Corridor Lens - Self-test	170lm	Corridor	147° x 80°

NOTE: Self-test luminaires are configured to manual test mode by default. If self-test mode is required, it should be activated via remote control. Available in black, add -BLK to the end of the product code to order.

DIMENSIONS



Technical Data	FXD01S-1.5-* -3
Rated Supply Voltage	220-240V AC
Mains Frequency	50 / 60 Hz
Max. Power Consumption	5W
Standby Power	<0.5W
Emergency Output Power	1.5W
Rated Emergency Duration	3hrs**
Battery Charge Time	8hrs (Initial up to 16hrs)
Operational Temperature	0°C to 40°C
Storage Temperature	0°C to 50°C
Insulation Class	II
Ingress Protection	IP20
Impact Protection	IK06
Battery Type	1 x 18650 Li-ion 3.6V 2.5Ah
Battery Code	FXC3.6-2500-A35

*Refers to head type. Head type does not affect the technical data.
 **To optimise long-term battery performance, the luminaire will operate for 3 hours before automatically shutting down.

Logistics Information	FXD01S-1.5-* -3
Product Dimensions	Head: Ø45 x 25mm Body: 190 x 88 x 25mm
Net Weight	0.15kg
Box Dimensions	245 x 30 x 100mm
Gross Weight	0.19kg
Box Qty	60pcs
Carton Dimensions	500 x 320 x 325mm
Carton Weight	12.10kg
Commodity Code	9405423100

Luminaire Materials	
Housing	Polycarbonate
Finish	Matt
Colour	White (black optional)
Screws	Nickel Steel

LED Light Source	
Type	5050
Colour Temp.	4000K
CRI	>80
LED Lifetime	50,000hrs

SELF-TEST

Indicator LED Status		
GREEN LED	RED LED	STATUS
On	Off	Standby
Slow Flash	Off	Charging
Fast Flash	Off	Function test or duration Test in progress
Off	On	Battery disconnected / Duration test failed
Slow Flash	Slow Flash	Battery temp. out of operational range
Off	Slow Flash	Light source fault

ACCESSORIES

REMOTE CONTROL



REM-E1

Dimensions	117 x 38 x 13mm
Gross Weight	0.03kg
Commodity Code	85437003

- Infrared remote control for all Fox Lux self-test luminaires, modules and remote packs.
- Batteries not included, requires 2 x AAA.
(NOT COMPATIBLE WITH DALI-2 PRODUCTS.)

MINI DOWNLIGHT BEZEL



FXD01-PB8

Dimensions	80 x 80 x 2mm
Gross Weight	0.02kg
Commodity Code	90021100

- Downlight bezel for use with existing oversized cutouts.
- Available in black add **-BLK** to the end of the product code to order.

