



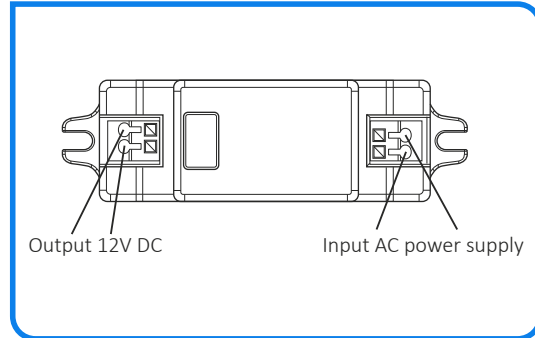
FXD120 12V POWER SUPPLY



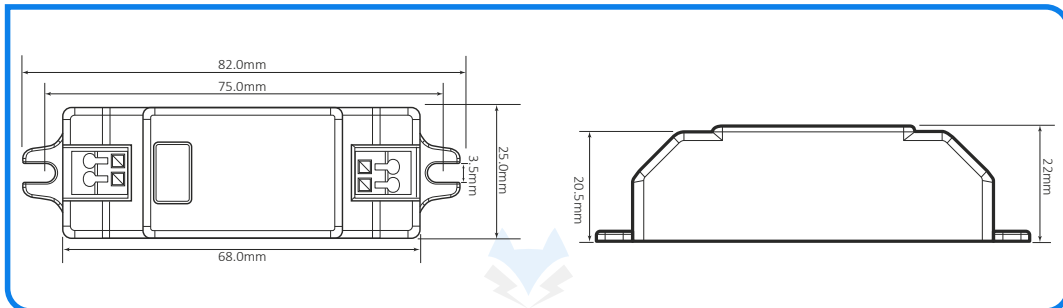
FEATURES

- Suitable for use with sensors which require aux. DC panel supply
- Compact linear form factor

KEY ELEMENTS



DIMENSIONS



Technical Data

Operating Voltage	100-277V DC
Rated Load	12V DC max.400mA
Standby Power	<0.1W
Operating Temperature	-20 °C to 70 °C

Logistics Information

Product Dimensions	82 x 22 x 25mm
Net Weight	0.03kg
Box Dimensions	N/A
Gross Weight	0.03kg
Box Qty	312pcs
Carton Dimensions	450 x 300 x 230 mm
Carton Weight	9.80kg
Commodity Code	8536500090

Materials

Housing	Polycarbonate
Finish	Matt
Colour	White

WIRING

