

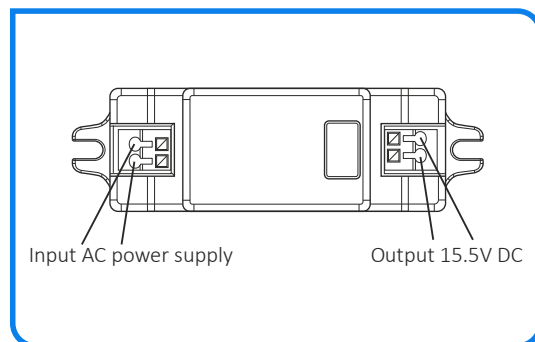
FXD120D DALI-2 POWER SUPPLY



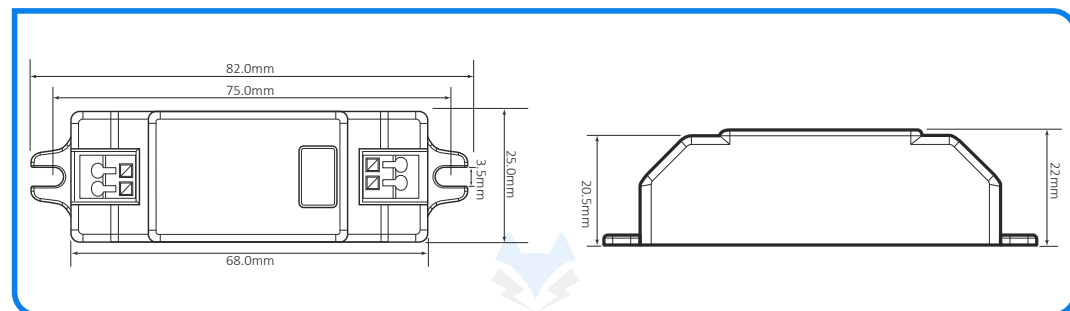
FEATURES

- DALI-2 certified
- Compact linear form factor

STRUCTURE



DIMENSIONS



Technical Data

Operating Voltage	100 - 277V AC
Guaranteed Output Current, DALI-	70mA
Max. Output Current, DALI-	110mA
Standby Power	< 0.1W
Operating Temperature	-20 °C to 60 °C

Logistics Information

Product Dimensions	82 x 22 x 25mm
Net Weight	0.03kg
Box Dimensions	N/A
Gross Weight	N/A
Carton Qty	312pcs
Carton Dimensions	450 x 300 x 230mm
Carton Weight	9.80kg
Commodity Code	8536500090

Materials

Housing	Polycarbonate
Finish	Matt
Colour	White

WIRING

