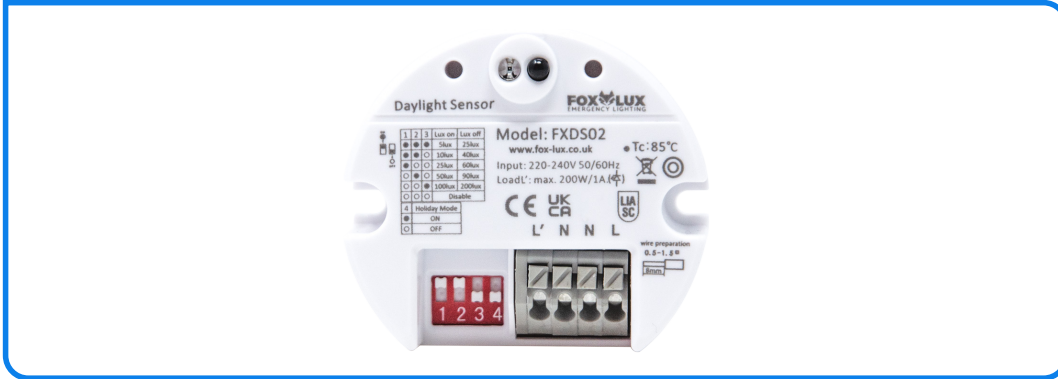


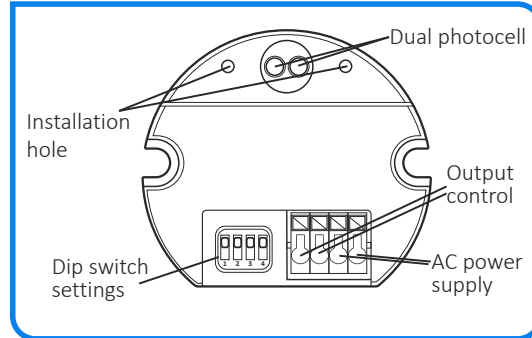
FXDS02 DAYLIGHT SENSOR



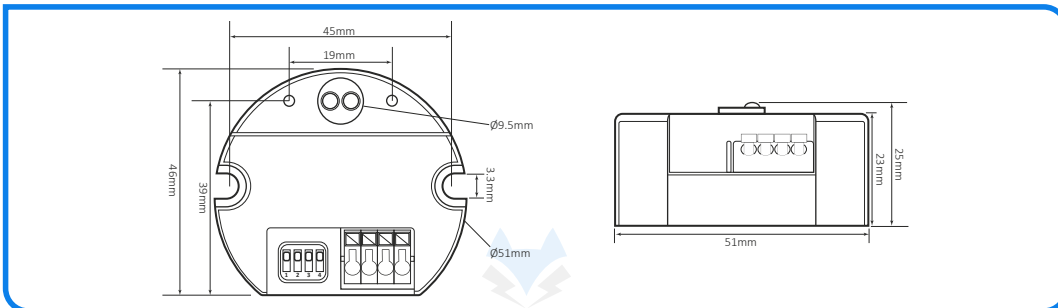
FEATURES

- Designed for built-in applications
- Provides ambient daylight control
- Daylight monitoring with dual photocell
- Settings via dip switches
- On / off control
- Manual holiday mode

KEY ELEMENTS



DIMENSIONS



Technical Data

Operating Voltage	220-240V AC 50-60Hz
Rated Load	200W
Standby Power	<0.5W
Sensor Technology	Dual photocell
Mounting Height	N/A
Detection Radius	N/A
Operating Temperature	-20°C to 70°C
IP Rating	IP20

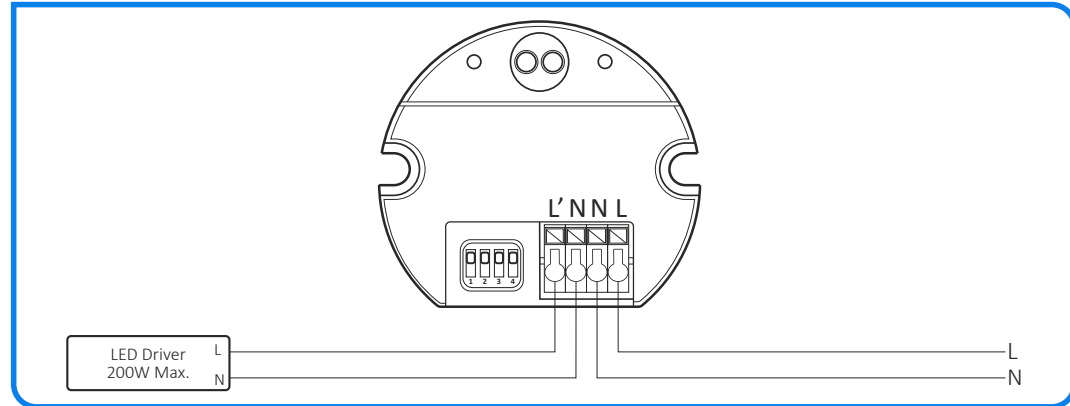
Logistics Information

Product Dimensions	51 x 46 x 24mm
Net Weight	0.03kg
Box Dimensions	N/A
Gross Weight	0.03kg
Carton Qty	320pcs
Carton Dimensions	450 x 300 x 230mm
Carton Weight	11.30kg
Commodity Code	8536500090

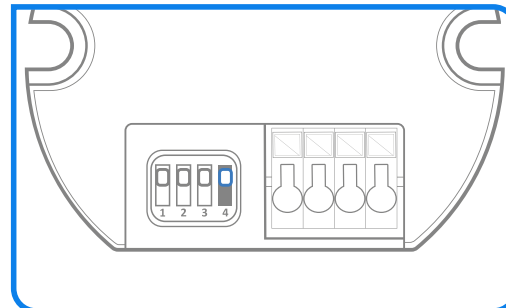
Materials

Housing	Polycarbonate
Finish	Matt
Colour	White

WIRING



HOLIDAY MODE



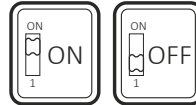
Manual holiday mode is a feature designed to turn the light fixture on at random times generated by an algorithm within the sensor.

This simulates movement within the building, for times when the area is vacant for prolonged periods of time. Every time the sensor turns the light on it does this for at least 2 hours.

DIP SWITCH SETTINGS

This sensor can be set up with dip switches found on front of the sensor. Each section controls different settings depending on the combination of switches.

The graphic to the right displays the full row of dip switches and which position indicates on or off.



Lux Control - Switch 1 / 2 / 3

The Sensor includes a photocell which can be used to limit the operation depending on the ambient light level.

When set to 50lux the sensor will only operate during the hours of darkness.

When set to disable the sensor will operate regardless of the ambient light levels.



1	2	3	Lux On	Lux Off
On	On	On	5lux	25lux
On	On	Off	10lux	40lux
On	Off	Off	25lux	60lux
Off	On	Off	50lux	90lux
Off	Off	On	100lux	200lux
Off	Off	Off	Disable*	

Holiday mode - Switch 4

Select whether the sensor is in normal detection mode or holiday mode. While in holiday mode, default lux threshold for lux on is 10lux and lux off is 40lux.

Turning on holiday mode:

- Move the dip switch to the on position, this mode will stay turned on even if there is a power failure.

- Alternatively, rapidly turn on / off the power supply twice within 2 seconds. The fixture will blink twice to indicate holiday mode.



4	Mode
On	On
Off	Off

