



**FXR03 MICRO REMOTE PACK**

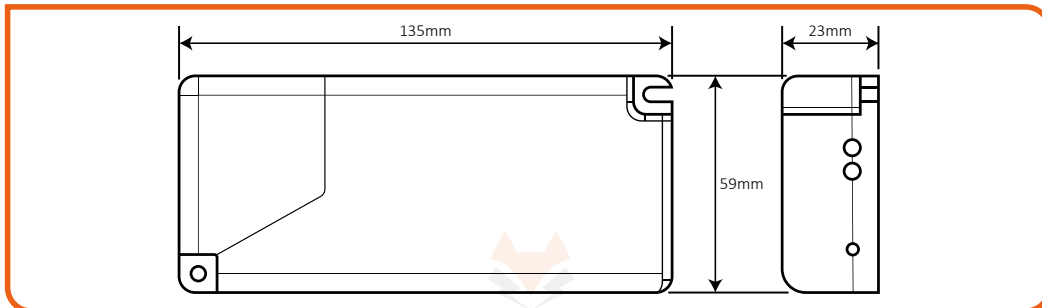


- Compatible with all popular LED panels
- Plug and Play – Twist lock connectors pre-fitted
- Compact enclosure with integral battery and strain relief
- Mains connector and LED bezel included
- 8 Year warranty including battery

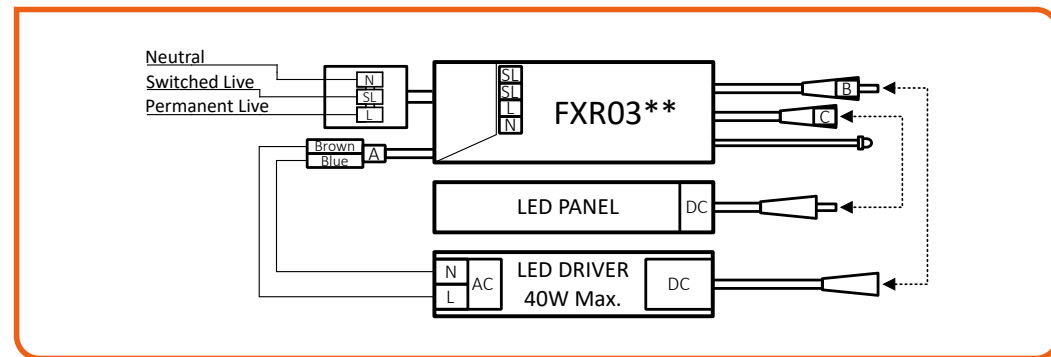


Part Number	Description	Output Voltage Range	EM Out.
FXR03-1.8-55-3	Micro Remote Pack- Self-test	10V- 50V	1.8W

**DIMENSIONS**



**WIRING DIAGRAM**



**Technical Data** **FXR03-1.8-55-3**

Rated Supply Voltage	220-240V AC
Mains Frequency	50 / 60 Hz
Max. Power Consumption	3W
Standby Power	<0.8W
Emergency Output Power	1.8W nominal
LED Forward Voltage Range	10 to 50V
Max. Output Voltage	60V DC
Rated Emergency Duration	3 hrs*
Battery Charge Time	8 hrs (Initial up to 16 hrs)
Operational Temperature	0°C to 60°C
Max. Case Temp.	70°C
Insulation Class	II
SELV	Yes
Battery Type	1 x 18650 Li-ion 3.6V 2.5Ah
Battery Code	FXC3.6-2500-A35

\*To optimise long-term battery performance, the remote pack will operate a luminaire for 3 hours before automatically shutting down.

**Materials**

Housing	Polycarbonate
Finish	Matt
Colour	White
Screws	Nickel Steel

**LED Driver Compatibility** **FXR03-1.8-55-3**

Max. Output Current of LED Driver	2A
Max. Inrush Current of LED Driver	24A
Max. Load of LED Driver	40W

**Logistics Information** **FXR03-1.8-55-3**

Product Dimensions	135 x 59 x 23mm
Net Weight	0.20kg
Box Dimensions	245 x 85 x 30mm
Gross Weight	0.24kg
Box Qty	40pcs
Carton Dimensions	340 x 256 x 340mm
Carton Weight	9.80kg
Commodity Code	8504318050

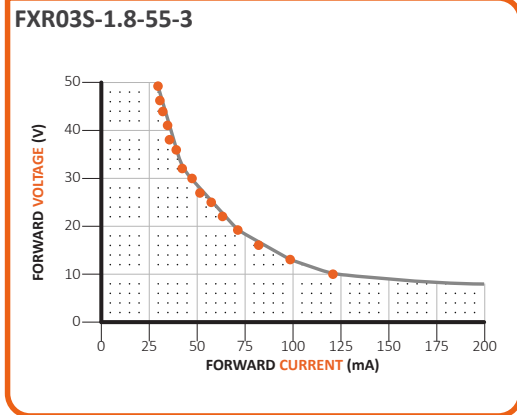
## MANUAL TEST

### Indicator LED Status

GREEN LED	RED LED	STATUS
On	Off	Standby
Slow Flash	Off	Charging
Off	On	Battery disconnected / Duration test failed
Off	Fast Flash	Battery temperature out of operational range
Off	Slow Flash	Light source faulty, disconnected or incompatible

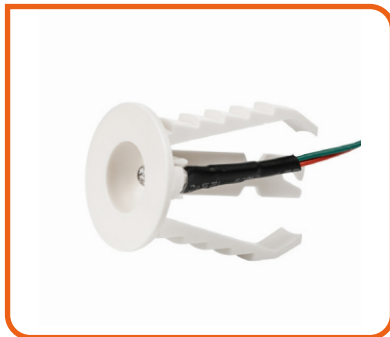
## LED DRIVE CURRENT IN EMERGENCY MODE

Data provided as a guide only.  
Data will vary based on type of LED chip and the LED array configuration.



## ACCESSORIES

### RECESSING BEZEL FOR LED INDICATOR / IR-R



#### BEZ01

Dimensions	27Ø x 46mm
Cutout Size	22mmØ
Gross Weight	< 0.01kg
Commodity Code	94059200

- Recessing bezel for use with LED indicators and infrared receivers.
- Comes as standard with every FXR03.