

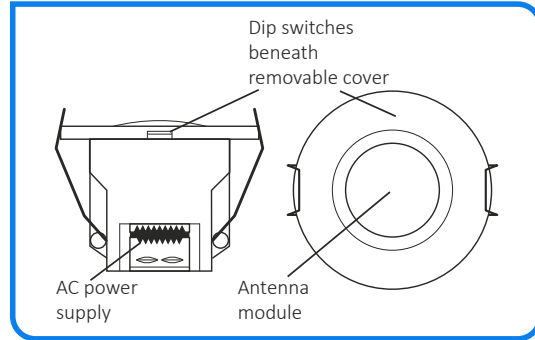
FXS06 RECESSED MICROWAVE SENSOR



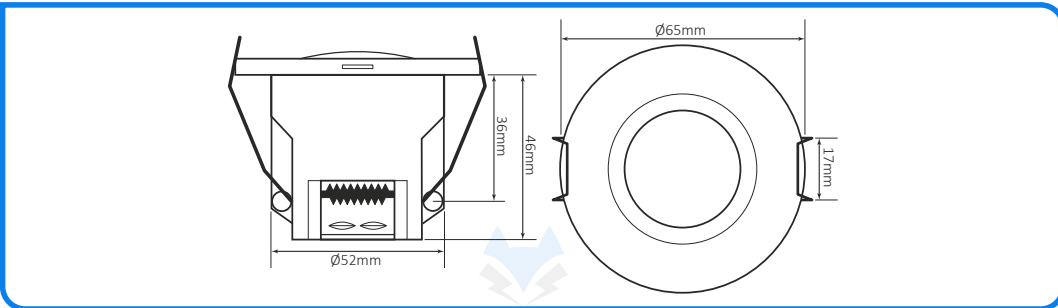
FEATURES

- Integrated or stand alone installation
- Daylight monitoring with onboard photocell removable lid
- Settings via dipswitches

KEY ELEMENTS



DIMENSIONS



Technical Data

Operating Voltage	220-240V AC 50-60Hz
Rated Load	400W
Standby Power	<0.5W
Sensor Technology	Microwave
Mounting Height	Max. 4m
Detection Radius	4m
Operating Temperature	-25°C to 50°C
IP Rating	IP20

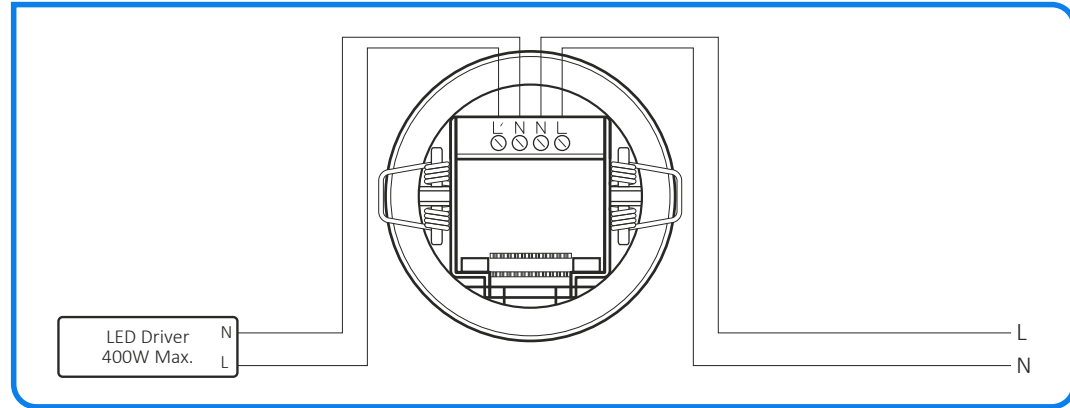
Logistics Information

Product Dimensions	65 x 65 x 46mm
Net Weight	0.06kg
Box Dimensions	71 x 71 x 65mm
Gross Weight	0.08kg
Carton Qty	50pcs
Carton Dimensions	375 x 370 x 165mm
Carton Weight	4.40kg
Commodity Code	8536508090

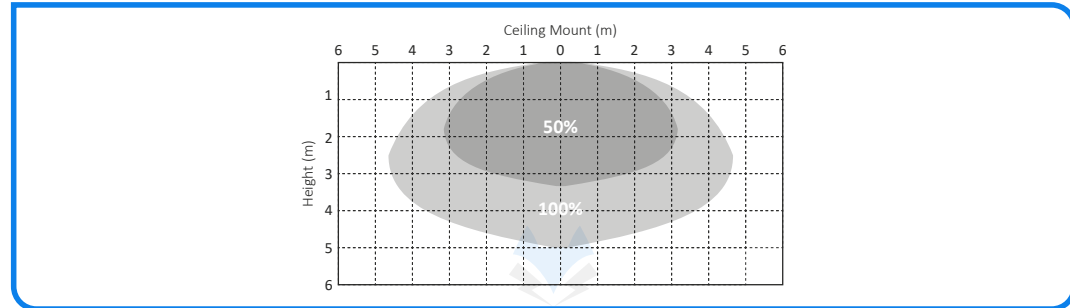
Materials

Housing	Polycarbonate
Finish	Matt
Colour	White

WIRING

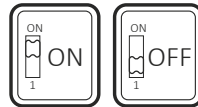
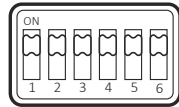


DETECTION



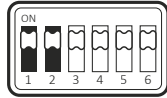
DIP SWITCH SETTINGS

This sensor can be set up with dip switches found on the sensor. Each section controls different settings depending on the combination of switches. Graphic to the right displays the full row of dip switches and which position indicates on or off.



Sensitivity - Switch 1 / 2

The sensitivity can be adjusted between 25% (low sensitivity) and 100% (high sensitivity)



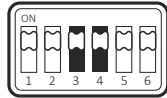
1 2 Sensitivity

On	On	100%
On	Off	75%
Off	On	50%
Off	Off	25%

Hold Time - Switch 3 / 4

The sensor will continue to provide power for a duration of time after the last motion was detected. If any motion is detected within the set duration time the sensor will reset the timer.

This duration can be adjusted from 30 seconds up to 30 minutes.



3 4 Hold Time

On	On	5s
On	Off	1min
Off	On	5min
Off	Off	10min

Lux Control - Switch 5 / 6

The Sensor includes a photocell which can be used to limit the operation depending on the ambient light level.

When set to 50lux or below, the sensor will only operate during the hours of darkness.

When set to disable the sensor will operate regardless of the ambient light levels.



5 6 Lux

On	On	5lux
On	Off	30lux
Off	On	50lux
Off	Off	Disabled

