



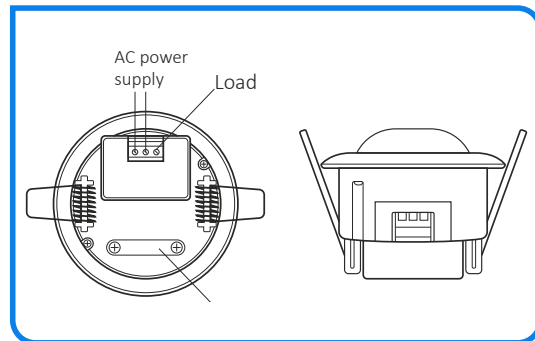
## FXS10 RECESSED PIR SENSOR



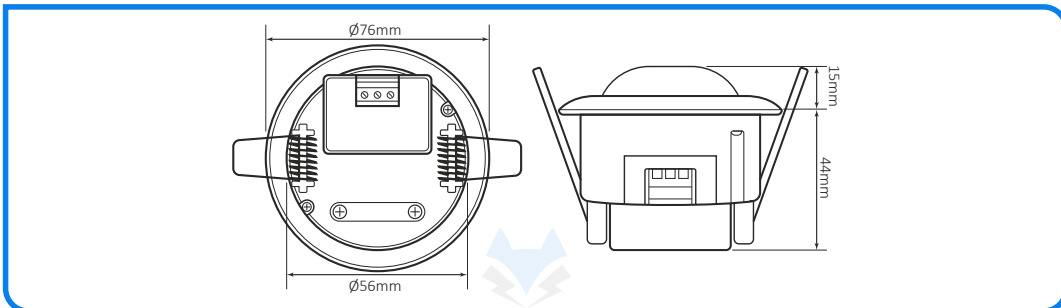
### FEATURES

- Recessed installation
- Daylight monitoring with onboard photocell
- Settings via dials

### KEY ELEMENTS



### DIMENSIONS



### Technical Data

Operating Voltage	220-240V AC 50-60Hz
Rated Load	300W
Standby Power	<0.5W
Sensor Technology	PIR
Mounting Height	2.5-4m
Detection Radius	Max. 3m
Operating Temperature	-20°C to 40°C
IP Rating	IP20

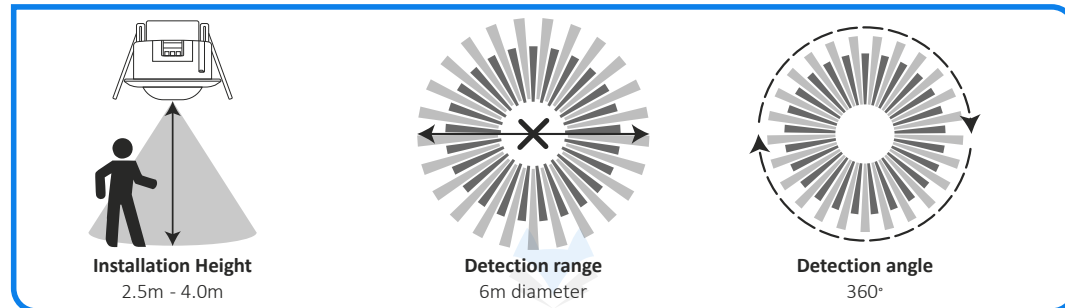
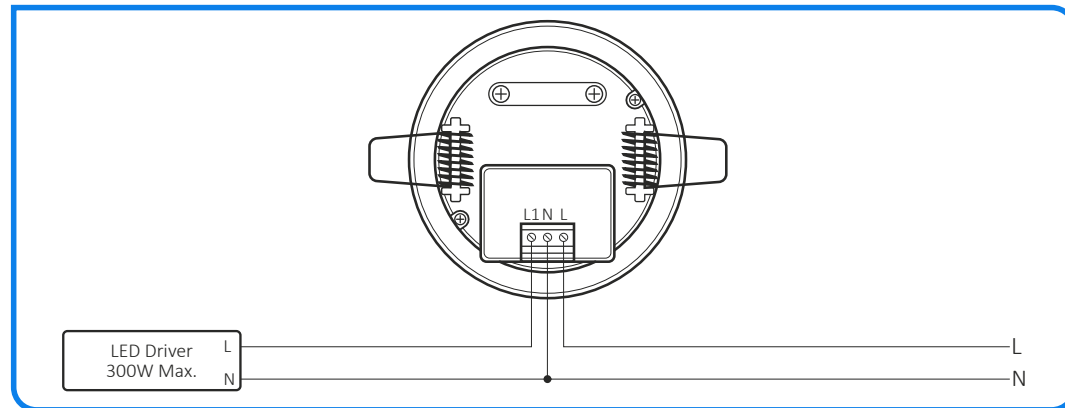
### Logistics Information

Product Dimensions	76 x 76 x 59mm
Net Weight	0.09kg
Box Dimensions	80 x 80 x 80mm
Gross Weight	0.10kg
Carton Qty	50pcs
Carton Dimensions	500 x 275 x 275mm
Carton Weight	5.80kg
Commodity Code	8536508090

### Materials

Housing	Polycarbonate
Finish	Matt
Colour	White

### WIRING



## SETTINGS

The sensor has two dials, lux control and hold time. These are used to set the ambient light threshold level and the time which the light will be held on for.

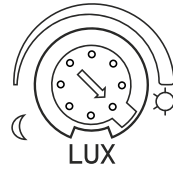
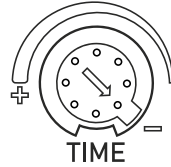
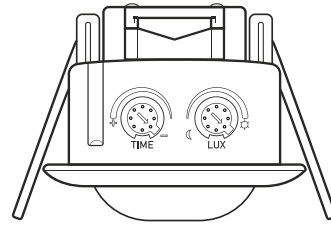
*Examples:*

1. Hold time set at 10s – Lux control set at daylight (2000lux):

At this setting the ambient light level is ignored, upon detecting movement, the sensor will turn on for 10s. The timer will reset if new movement is detected during the hold time.

2. Hold time set at 3min - Lux control set at 300lux:

The sensor will only operate when ambient light level is below 300 lux. Upon detecting movement, the sensor will turn on for 3 minutes. The timer will reset if new movement is detected during the hold time.



### Hold Time

The time dial has six steps, ranging from 10s to 15min.

This controls the time that the light is turned on for.

The hold time duration will reset every time new movement is detected.

### Lux Control

The lux dial has four steps, 3/30/300/2000 (sun).

This allows the sensor to work in a variety of ambient light settings.

The sensor will only operate when the ambient light level is below the value set by this dial.

## SYMPTOM

## CAUSE

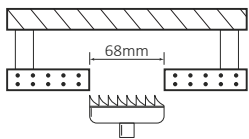
## SOLUTION

Sensor will not work	- Incorrect lux control setting	- Check "lux control" setting
	- No power to sensor	- Check power supply
	- Faulty sensor	- Replace sensor
Sensor is continuously activated	- Movement is detected continuously	- Check "sensitivity" settings
	- Duration setting too long	- Check "duration" setting
Sensor activates without any noticeable movement	- Sensor is experiencing local vibrations	- Check sensor is securely mounted
	- Sensor is detecting unseen movement behind wall or obstruction	- Reduce "sensitivity" setting
Sensor will not detect motion	- Detection is blocked by metal work	- Check the sensor is not obstructed
	- Motion is too far away or too fast	- Increase "Sensitivity" setting

## INSTALLATION

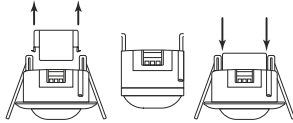
### 1. Prepare mounting surface

Drill a 68mm hole for the sensor to be installed into.



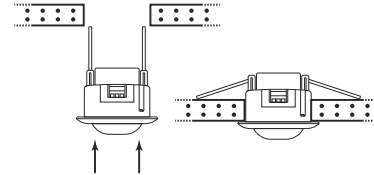
### 2. Connect supply cable

Remove the terminal cover and connect the supply cable using the wiring diagram. Replace the terminal cover once connected.



### 3. Prepare mounting surface

Fold the sensor arms and insert the sensor into the mounting surface.



Install at 2.2m- 4m from the floor. The sensor reacts to heat movement, e.g. when a person walks under the sensor.

DO NOT install near a heat source. This will disturb the sensor and can cause false triggering.

DO NOT install near highly reflective surfaces such as mirrors, this can cause issues with detection.

DO NOT install near tall objects that can blow in the wind such as curtains or plants.

These can obstruct the sensor and cause false triggering.