

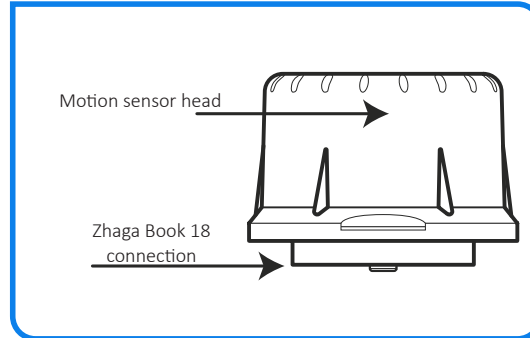
FXS156DHB ZHAGA BOOK 18 MICROWAVE SENSOR



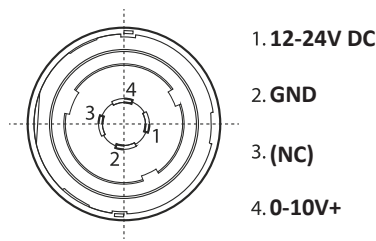
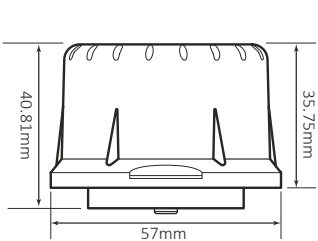
FEATURES

- Sensor power supply via 12-24V aux
- Control via 0-10V output
- Daylight harvesting
- Settings via remote control

KEY ELEMENTS



DIMENSIONS



Technical Data

Operating Voltage	12-24V DC
Rated Load	N/A
Standby Power	<0.5W
Sensor Technology	Microwave
Mounting Height	Max. 12m
Detection Radius	Max. 8 to 9m
Operating Temperature	-20°C to 70°C
IP Rating	IP65

Logistics Information

Product Dimensions	57 x 57 x 41mm
Net Weight	0.05kg
Box Dimensions	62 x 62 x 66mm
Gross Weight	0.06kg
Carton Qty	72pcs
Carton Dimensions	432 x 275 x 236mm
Carton Weight	5.60kg
Commodity Code	8536500090

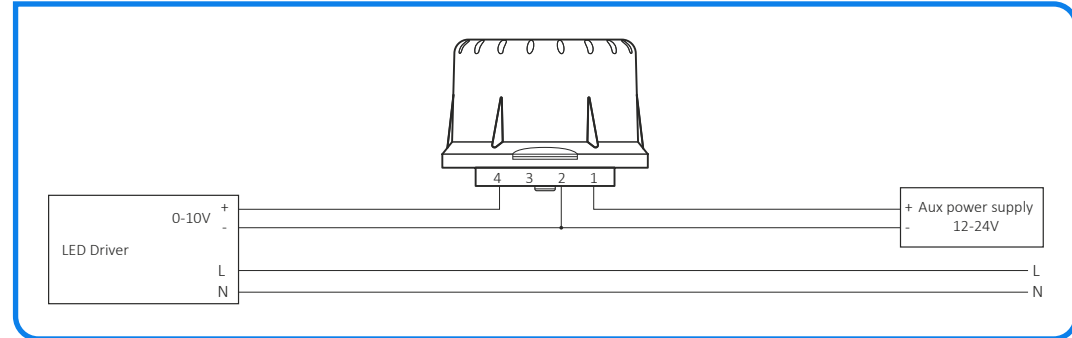
Materials

Housing	Polycarbonate
Finish	Translucent
Colour	Black

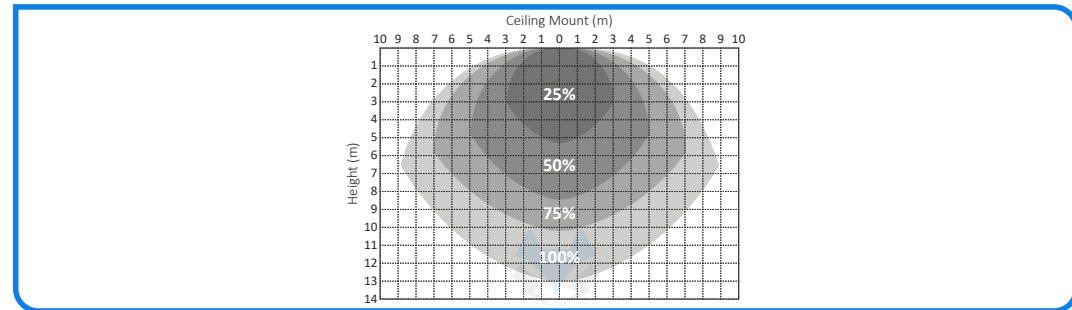
REMOTE CONTROL

Settings can be adjusted directly via remote control. The paired remote control for this sensor is REM-S21. See separate data sheet for further details.

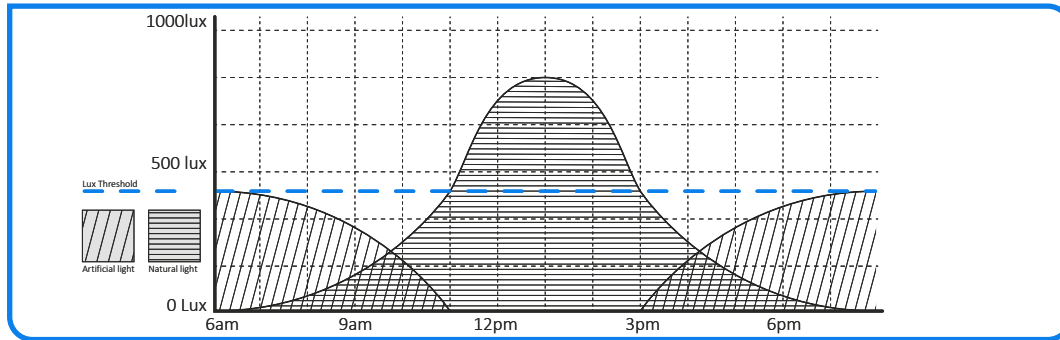
WIRING



DETECTION



DAYLIGHT HARVEST



DAYLIGHT HARVEST SET UP

Choose the desired daylight sensor threshold, the daylight sensor will automatically switch on when surrounding brightness is below the chosen threshold. If surrounding brightness is over the threshold, the whole daylight sensor will not work at all.

During operation, the daylight sensor regulates the light output automatically according to the level of surrounding brightness.

The natural light goes up, the artificial light goes down; the natural light goes down, the artificial light goes up.

The daylight sensor will automatically switch off when the natural light is confirmed sufficient (Lux-off sampling time is 30s).

