



FXSD02 SURFACE DOWNLIGHT



VARIANTS AVAILABLE: OPEN AREA / CORRIDOR LENS

- Interchangeable lenses with highly efficient optical performance
- 8 year warranty including battery
- 20mm conduit entry points
- Remote control compatible
- Available in black
- Pre-commissioning feature via REM-E1

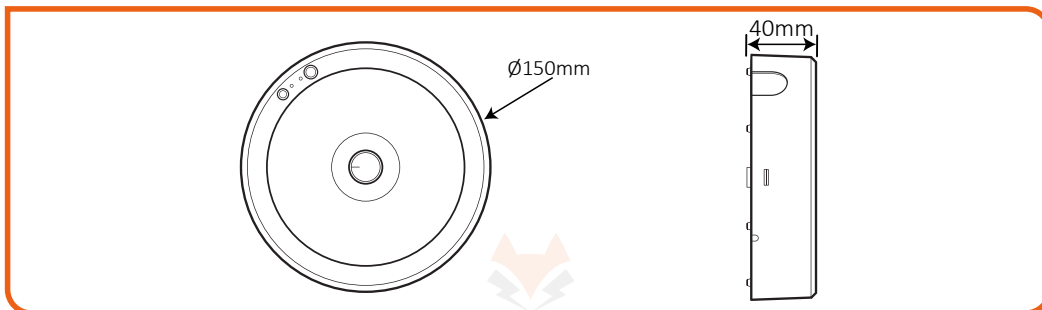


Part Number	Description	Output	Optic	Beam Angle
FXSD02S-1.5-O-3	Surface Downlight - Open Area - Self-test	200lm	Open Area	140°
FXSD02S-1.5-C-3	Surface Downlight - Corridor Lens - Self-test	175lm	Corridor	150° x 78°

NOTE: Self-test luminaires are configured to manual test mode by default. If self-test mode is required, it should be activated via remote control.

Available in black, add **-BLK** to the end of the product code to order.

DIMENSIONS



Technical Data FXSD02S-1.5-*-3

Rated Supply Voltage	220-240V AC
Mains Frequency	50 / 60 Hz
Max. Power Consumption	5W
Standby Power	<0.5W
Emergency Output Power	1.5W
Rated Emergency Duration	3 hrs**
Battery Charge Time	8 hrs (Initial up to 16 hrs)
Operational Temperature	0°C to 40°C
Storage Temperature	0°C to 50°C
Insulation Class	II
Ingress Protection	IP20
Impact Protection	IK06
Battery Type	1 x 18650 Li-ion 3.6V 2.5Ah
Battery Code	FXC3.6-2500-B80

* Refers to lens type. Lens type does not affect the technical data.

** To optimise long-term battery performance, the luminaire will operate for 3 hours before automatically shutting down.

Logistics Information FXSD02S-1.5-*-3

Product Dimensions	Ø150 x 40mm
Net Weight	0.24kg
Box Dimensions	165 x 50 x 155mm
Gross Weight	0.29kg
Box Qty	28pcs
Carton Dimensions	370 x 350 x 340mm
Carton Weight	8.65kg
Commodity Code	9405423100

Materials

Housing	Polycarbonate
Finish	Matt
Colour	White (black optional)
Screws	Nickel Steel

LED Light Source

Type	5050
Colour Temp.	4000K
CRI	>80
LED Lifetime	50,000hrs

SELF-TEST

Indicator LED Guide

GREEN LED	RED LED	STATUS
On	Off	Standby
Slow Flash	Off	Charging
Fast Flash	Off	Function test or duration Test in progress
Off	On	Battery disconnected / Duration test failed
Slow Flash	Slow Flash	Battery temp. out of operational range
Off	Slow Flash	Light source fault

ACCESSORIES

REMOTE CONTROL



REM-E1

Dimensions	117 x 38 x 13mm
Gross Weight	0.03kg
Commodity Code	85437003

- Infrared remote control for all Fox Lux self-test luminaires, modules and remote packs.
- Batteries not included, requires 2 x AAA.
(NOT COMPATIBLE WITH DALI-2 PRODUCTS.)

