



FXSD02 SURFACE DOWNLIGHT



VARIANTS AVAILABLE: SELF-TEST / DALI-2

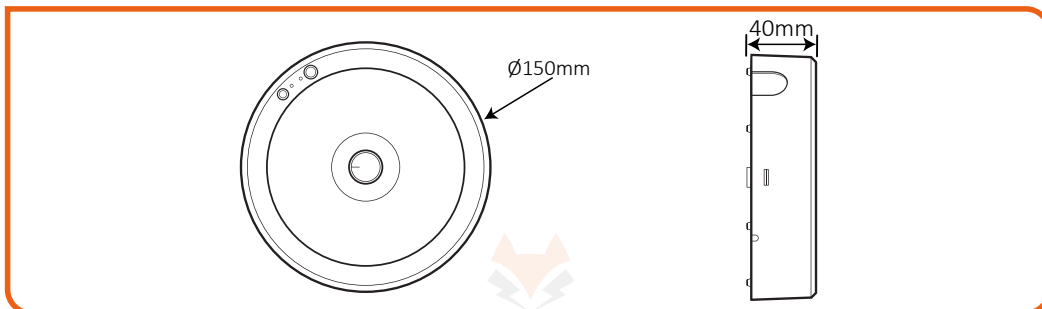
- Interchangeable lenses with highly efficient optical performance
- 20mm conduit entry points
- Available in black
- 8 year warranty including battery
- Remote control compatible
- Pre-commissioning feature via REM-E1



Part Number	Description	Output	Optic	Beam Angle
FXSD02S-3-O-3	Surface Downlight - Open Area - Self-test	330lm	Open Area	140°
FXSD02S-3-C-3	Surface Downlight - Corridor Lens - Self-test	290lm	Corridor	150° x 78°
FXSD02DL-3-O-3	Surface Downlight - Open Area - DALI-2	330lm	Open Area	140°

NOTE: Self-test luminaires are configured to manual test mode by default. If self-test mode is required, it should be activated via remote control. Available in black, add **BLK** to the end of the product code to order. **Track mounted** option available on request.

DIMENSIONS



Technical Data	FXSD02S-3-* -3	FXSD02DL-3-O-3
Rated Supply Voltage	220-240V AC	220-240V AC
Mains Frequency	50 / 60 Hz	50 / 60 Hz
Max. Power Consumption	5W	5W
Standby Power	<0.5W	<0.5W
Emergency Output Power	3W	3W
Rated Emergency Duration	3 hrs**	3 hrs**
Battery Charge Time	8 hrs (Initial up to 16 hrs)	20 hrs
Operational Temperature	0°C to 40°C	0°C to 40°C
Storage Temperature	0°C to 50°C	0°C to 50°C
Insulation Class	II	II
Ingress Protection	IP20	IP20
Impact Protection	IK06	IK06
Battery Type	2 x 18650 Li-ion 3.6V 5.0Ah	2 x 18650 Li-ion 3.6V 5.0Ah
Battery Code	FXC3.6-5000-B80	FXC3.6-5000-B80

* Refers to lens type. Lens type does not affect the technical data.

** To optimise long-term battery performance, the luminaire will operate for 3 hours before automatically shutting down.

Logistics Information	FXSD02S-3-* -3	FXSD02DL-3-O-3
Product Dimensions	Ø150 x 40mm	Ø150 x 40mm
Net Weight	0.29kg	0.30kg
Box Dimensions	165 x 50 x 155mm	165 x 50 x 155mm
Gross Weight	0.34kg	0.36kg
Box Qty	28pcs	28pcs
Carton Dimensions	370 x 325 x 345mm	370 x 340 x 330mm
Carton Weight	10.05kg	10.50kg
Commodity Code	9405423100	9405423100

Materials	
Housing	Polycarbonate
Finish	Matt
Colour	White (black optional)
Screws	Nickel Steel

LED Light Source	
Type	5050
Colour Temp.	4000K
CRI	>80
LED Lifetime	50,000 hrs

SELF-TEST

Indicator LED Guide		
GREEN LED	RED LED	STATUS
On	Off	Standby
Slow Flash	Off	Charging
Fast Flash	Off	Function test or duration Test in progress
Off	On	Battery disconnected / Duration test failed
Slow Flash	Slow Flash	Battery temp. out of operational range
Off	Slow Flash	Light source fault

DALI-2

Indicator LED Guide		
GREEN LED	RED LED	STATUS
On	Off	Standby
Slow Flash	Off	Duration test in progress
Fast Flash	Off	Function test in progress
Off	On	Battery temp. out of operational range
Off	Slow Flash	Battery disconnected / Duration test failed
Off	Fast Flash	Battery low voltage.
Off	Off	Emergency function in operation
Alternating G > R > G...		DALI-2 identifying code

ACCESSORIES

REMOTE CONTROL



REM-E1

Dimensions	117 x 38 x 13mm
Gross Weight	0.03kg
Commodity Code	85437003

- Infrared remote control for all Fox Lux self-test luminaires, modules and remote packs.
- Batteries not included, requires 2 x AAA.
(NOT COMPATIBLE WITH DALI-2 PRODUCTS.)

