



FXTS IP65 TWIN SPOT



VARIANTS AVAILABLE: SELF-TEST / DALI-2

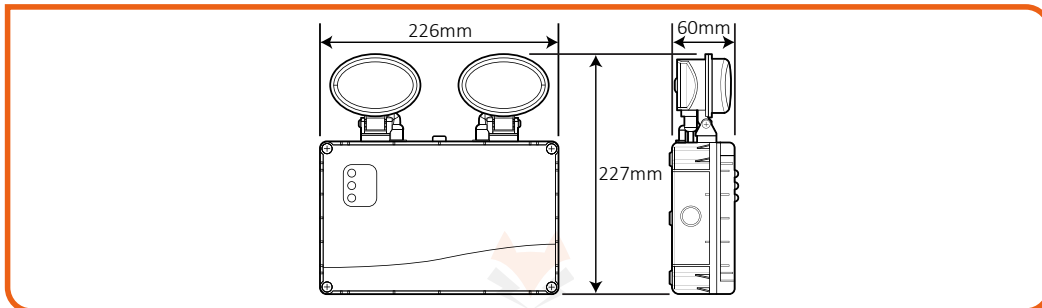
- Light weight
- Compact
- 20mm conduit entry. IP65 cable gland included.
- 8 year warranty including battery
- Remote control compatible
- Pre-commissioning feature via REM-E1



Part Number	Description	Output	Optic	Beam Angle
FXTS02S-NM-3	IP65 Twin Spot - Self-test	440lm (220lm per head)	Frosted Lens	112° x 112°
FXTS03S-NM-3	IP65 High Output Twin Spot - Self-test	1000lm (500lm per head)	Frosted Lens	122° x 100°
FXTS02DL-NM-3	IP65 Twin Spot - DALI-2	440lm (220lm per head)	Frosted Lens	112° x 112°

NOTE: Self-test luminaires are configured to manual test mode by default. If self-test mode is required, it should be activated via remote control.

DIMENSIONS



Technical Data	FXTS02S-NM-3	FXTS03S-NM-3	FXTS02DL-NM-3
Rated Supply Voltage	220-240V AC	220-240V AC	220-240V AC
Mains Frequency	50 / 60 Hz	50 / 60 Hz	50 / 60 Hz
Max. Power Consumption	5W	5W	5W
Standby Power	<0.5W	<0.5W	<0.5W
Emergency Output Power	3W	6W	3W
Rated Emergency Duration	3hrs*	3hrs*	> 3hrs
Battery charge Time	8hrs (Initial up to 16hrs)	8hrs (Initial up to 16hrs)	20hrs
Operational Temperature	0°C to 40°C	0°C to 40°C	0°C to 40°C
Storage Temperature	0°C to 50°C	0°C to 50°C	0°C to 50°C
Insulation Class	II	II	II
Ingress Protection	IP65	IP65	IP65
Impact Protection	IK10	IK10	IK10
Battery Type	2 x 18650 Li-ion 3.6V 5.0Ah	4 x 18650 Li-ion 3.6V 10.0Ah	2 x 18650 Li-ion 3.6V 5.0Ah
Battery Code	FXC3.6-5000-B80	FXC3.6-10000-B80	FXC3.6-5000-B80

*To optimise long-term battery performance, the luminaire will operate for 3 hours before automatically shutting down.

Logistics Information	FXTS02S-NM-3	FXTS03S-NM-3	FXTS02DL-NM-3
Product Dimensions	226 x 60 x 227mm	226 x 60 x 227mm	226 x 60 x 227mm
Net Weight	0.67kg	0.77kg	0.67kg
Box Dimensions	245 x 70 x 240mm	245 x 70 x 240mm	245 x 70 x 240mm
Gross Weight	0.77kg	0.89kg	0.78kg
Box Qty	14pcs	14pcs	14pcs
Carton Dimensions	515 x 265 x 500mm	515 x 265 x 500mm	525 x 265 x 505mm
Carton Weight	11.55kg	13.10kg	11.90kg
Commodity Code	9405423100	9405423100	9405423100

Materials	
Housing	Polycarbonate
Finish	Matt
Colour	White
Screws	Nickel Steel

LED Light Source	
Type	2835
Colour Temp.	4000K
CRI	>80
LED Lifetime	50,000hrs

SELF-TEST

Indicator LED Status		
GREEN LED	RED LED	STATUS
On	Off	Standby
Slow Flash	Off	Charging
Fast Flash	Off	Function test or duration Test in progress
Off	On	Battery disconnected / Duration test failed
Slow Flash	Slow Flash	Battery temp. out of operational range
Off	Slow Flash	Light source fault

DALI-2

Indicator LED Status		
GREEN LED	RED LED	STATUS
On	Off	Standby
Slow Flash	Off	Duration test in progress
Fast Flash	Off	Function test in progress
Off	On	Battery temp. out of operational range
Off	Slow Flash	Battery disconnected / Duration test failed
Off	Fast Flash	Battery low voltage.
Off	Off	Emergency function in operation
Alternating G > R > G...		DALI-2 identifying code

ACCESSORIES

REMOTE CONTROL



REM-E1

Dimensions	117 x 38 x 13mm
Gross Weight	0.03kg
Commodity Code	85437003

- Infrared remote control for all Fox Lux self-test luminaires, modules and remote packs.
- Batteries not included, requires 2 x AAA.
(NOT COMPATIBLE WITH DALI-2 PRODUCTS.)

